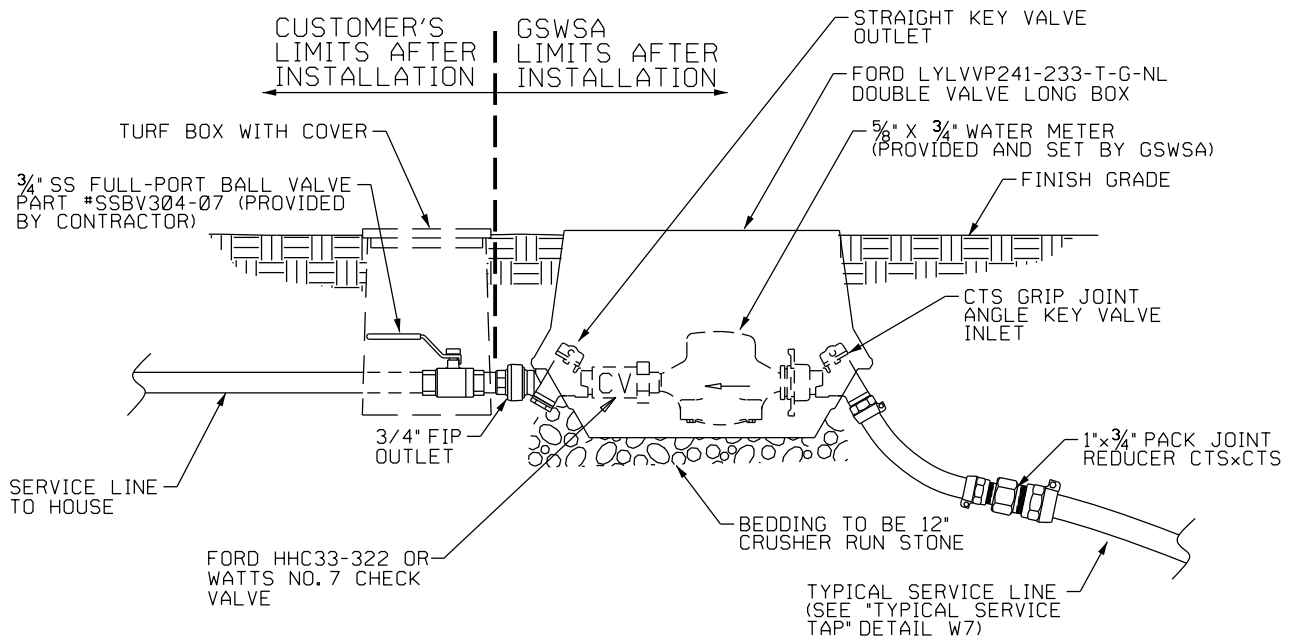


PLAN



PROFILE

TYPICAL WATER METER DETAIL (3/4" - 1")

W1

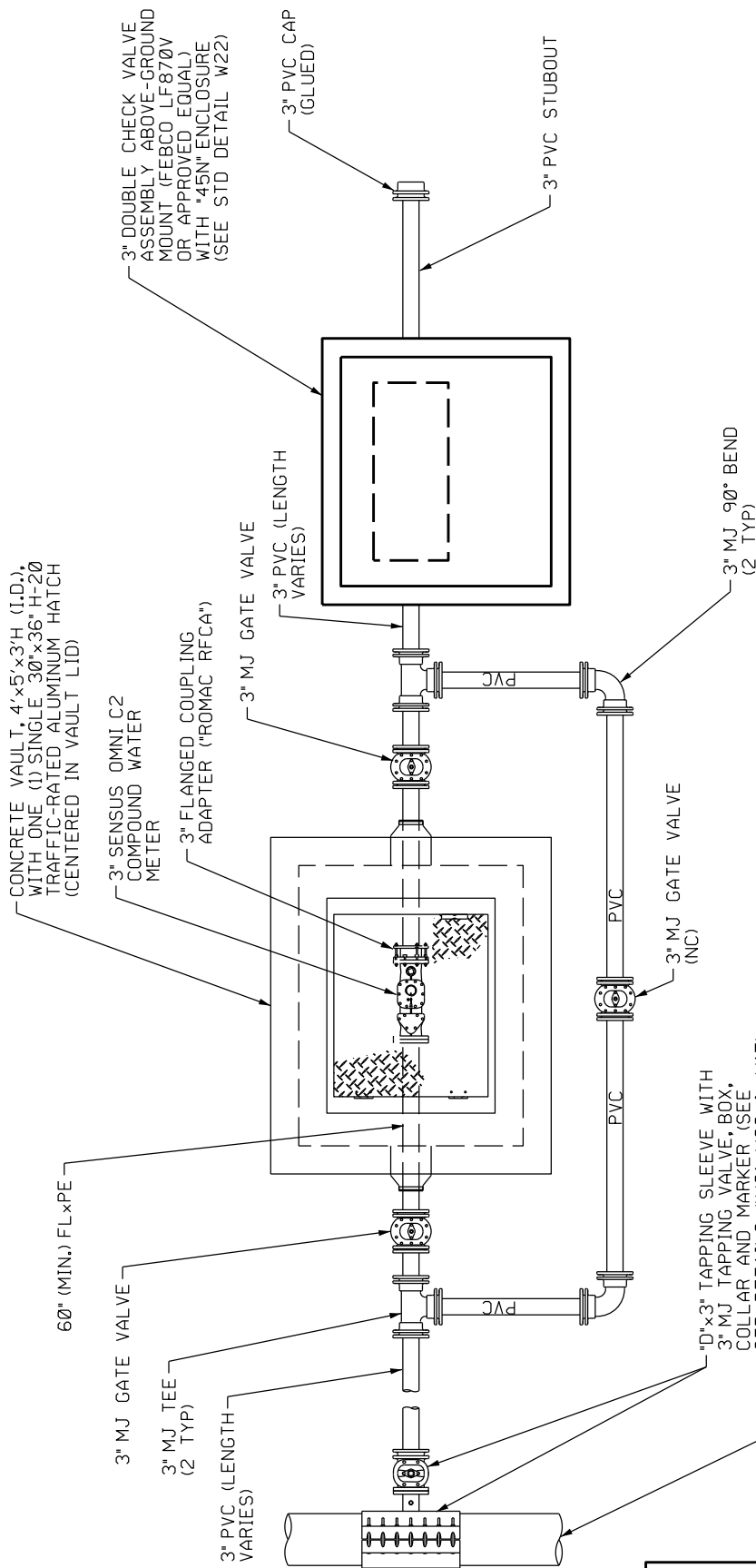
TYPICAL WATER METER DETAIL (3/4" - 1")
 FOR FUTURE CUSTOMER CONNECTIONS
 (FOR GSWA RURAL & CAPITAL
 PROJECTS ONLY)

WATER ONLY
 UPDATED: 01/06/2023

W1

LATEST REVISION:
 10/29/2014 DRT CORRECTED METER BOX SPECIFICATIONS
 01/09/2020 DRT REVISED TITLE
 01/07/2021 DRT CHANGED METER BOX SPECIFICATIONS
 01/06/2023 DRT CHANGE CUSTOMER GATE VALVE TO BALL VALVE

GRAND STRAND
 WATER & SEWER AUTHORITY



CONCRETE VAULT, 4'x5'x3'H (I.D.), WITH ONE (1) SINGLE 30"x36" H-20 TRAFFIC-RATED ALUMINUM HATCH (CENTERED IN VAULT LID)

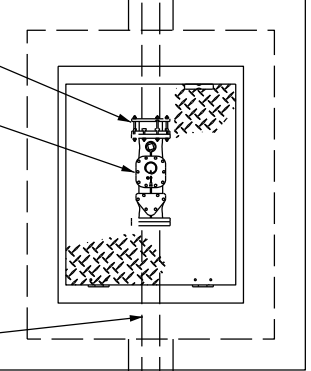
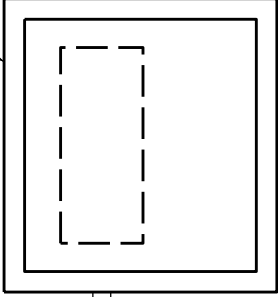
60" (MIN.) FLxPE

3" SENSUS OMNI C2 COMPOUND WATER METER

3" FLANGED COUPLING ADAPTER ("ROMAC RFCA")

3" MJ GATE VALVE

3" PVC (LENGTH VARIES)



3" MJ GATE VALVE

3" MJ TEE (2 TYP)

3" PVC (LENGTH VARIES)

10"x3" TAPPING SLEEVE WITH 3" MJ TAPPING VALVE, BOX, COLLAR AND MARKER (SEE STD DETAILS #WS1, WS2 & W17)

EXISTING WATERLINE

3" MJ GATE VALVE (NC)

3" MJ 90° BEND (2 TYP)

3" DOUBLE CHECK VALVE ASSEMBLY ABOVE-GROUND MOUNT (FEBCO LF870V OR APPROVED EQUAL) WITH "4.5N" ENCLOSURE (SEE STD DETAIL W22)

3" PVC CAP (GLUED)

3" PVC STUBOUT

CONCRETE VAULT SPECIFICATIONS:

1. 4,000 PSI CONCRETE
2. WALL THICKNESS = 6" REINF. W/#4 GRADE 60 REBAR @ 9" O.C.E.W.
3. BASE SLAB THICKNESS = 6" REINF. W/#4 GRADE 60 REBAR @ 9" O.C.E.W.
4. TOP SLAB THICKNESS = 6" REINF. W/#4 GRADE 60 REBAR @ 6" O.C.E.W.
5. DRAWING SCALE = NTS
6. VAULT TO BE ABLE TO WITHSTAND OCCASIONAL VEHICULAR TRAFFIC.

PLAN

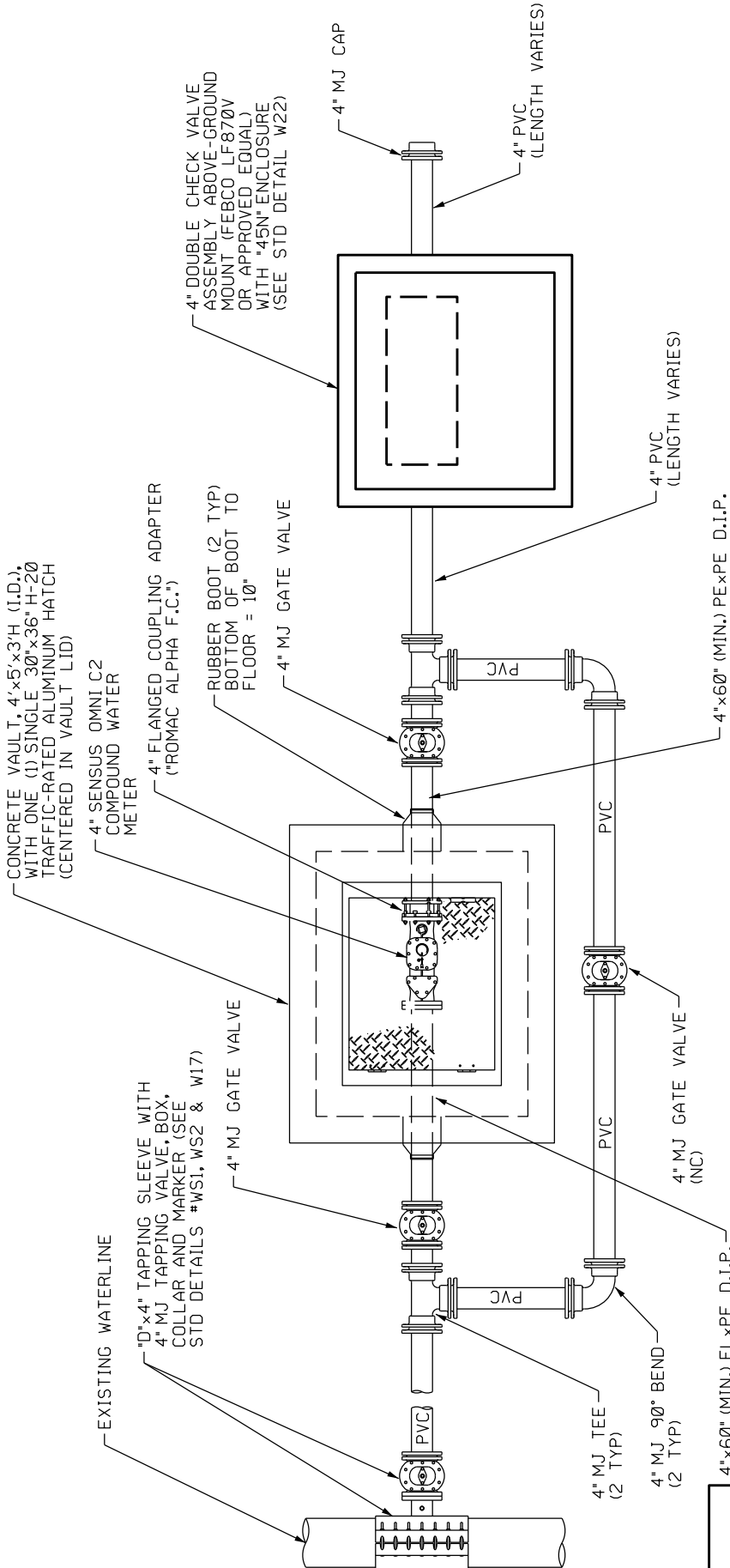
TYPICAL WATER METER DETAIL (3")

W1-3

LATEST REVISION:
08/22/2022 DRT
01/09/2020 DRT

UPDATED C.V. ASSEMBLY NOTE
REVISED TITLE AND C.V. ASSEMBLY, AND
ADDED BYPASS

TYPICAL WATER METER DETAIL (3")	
WATER ONLY ADDED: 07/03/2019 UPDATED: 08/22/2022	<div style="border: 1px solid black; display: inline-block; padding: 2px 5px;">W1-3</div>
GRAND STRAND WATER & SEWER AUTHORITY	



CONCRETE VAULT, 4'x5'x3'H (I.D.), WITH ONE (1) SINGLE 30"x36"H-20 TRAFFIC-RATED ALUMINUM HATCH (CENTERED IN VAULT LID)

4" SENSUS OMNI C2 COMPOUND WATER METER

4" FLANGED COUPLING ADAPTER ("ROMAC ALPHA F.C.")

RUBBER BOOT (2 TYP) BOTTOM OF BOOT TO FLOOR = 10"

4" MJ GATE VALVE

4" DOUBLE CHECK VALVE ASSEMBLY ABOVE-GROUND MOUNT (FEBCO LF870V OR APPROVED EQUAL) WITH 4.5" ENCLOSURE (SEE STD DETAIL W22)

4" PVC (LENGTH VARIES)

4" MJ CAP

"D"x4" TAPPING SLEEVE WITH 4" MJ TAPPING VALVE, BOX, COLLAR AND MARKER (SEE STD DETAILS #WS1, WS2 & W17)

4" MJ GATE VALVE

4" MJ GATE VALVE (NC)

4" MJ TEE (2 TYP)

4" MJ 90° BEND (2 TYP)

4"x60" (MIN.) FL x PE D.I.P.

GENERAL NOTES:
 1. ALL FITTINGS USE RESTRAINTS.
 2. PVC PIPING TO BE C900.

CONCRETE VAULT SPECIFICATIONS:
 1. 4,000 PSI CONCRETE
 2. WALL THICKNESS = 6" REINF. W/#4 GRADE 60 REBAR @ 9" O.C.E.W.
 3. BASE SLAB THICKNESS = 6" REINF. W/#4 GRADE 60 REBAR @ 9" O.C.E.W.
 4. TOP SLAB THICKNESS = 6" REINF. W/#4 GRADE 60 REBAR @ 6" O.C.E.W.
 5. DRAWING SCALE = NTS
 6. VAULT TO BE ABLE TO WITHSTAND OCCASIONAL VEHICULAR TRAFFIC.

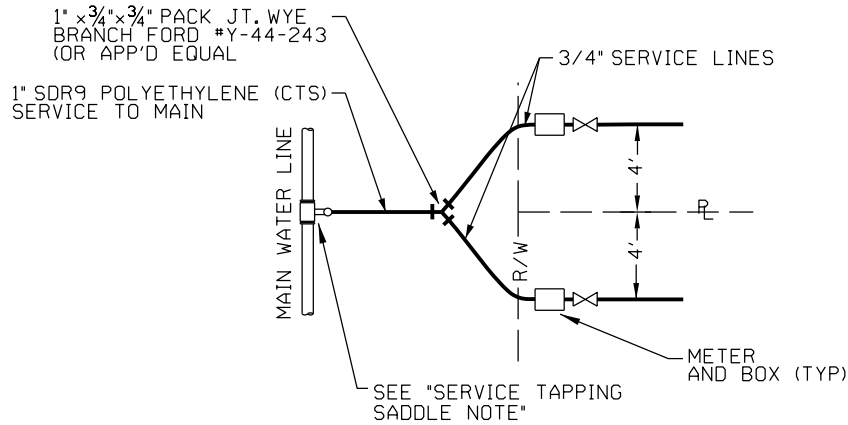
PLAN

TYPICAL WATER METER DETAIL (4")

W1-4

LATEST REVISION:
 08/22/2022 DRT
 01/09/2020 DRT
 UPDATED C.V. ASSEMBLY NOTE
 REVISED TITLE AND C.V. ASSEMBLY

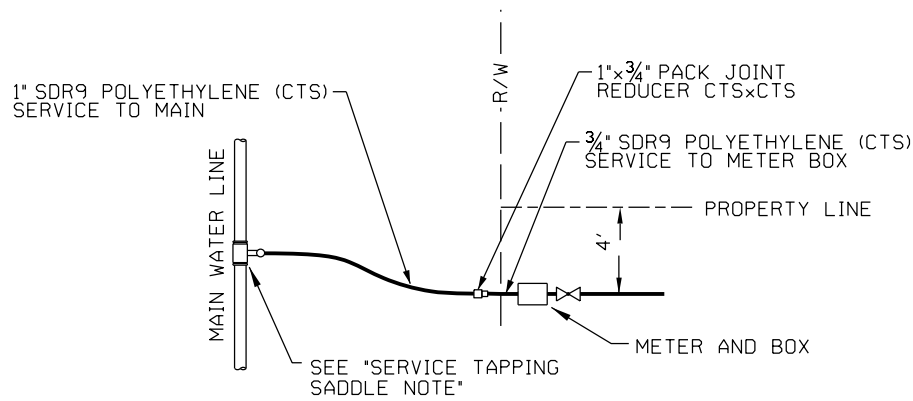
TYPICAL WATER METER DETAIL (4")	
WATER ONLY ADDED: 07/03/2019 UPDATED: 08/22/2022	W1-4
GRAND STRAND WATER & SEWER AUTHORITY	



SERVICE TAPPING SADDLE NOTE:
 SMITH-BLAIR SINGLE STRAP, NYLON-COATED WITH
 WIDE SST BANDS NO. 315; OR SMITH-BLAIR DOUBLE STRAP,
 NYLON-COATED WITH WIDE SST BANDS NO. 317.

PLAN

TYPICAL DOUBLE SERVICE CONNECTION



SERVICE TAPPING SADDLE NOTE:
 SMITH-BLAIR SINGLE STRAP, NYLON-COATED WITH
 WIDE SST BANDS NO. 315; OR SMITH-BLAIR DOUBLE STRAP,
 NYLON-COATED WITH WIDE SST BANDS NO. 317.

PLAN

TYPICAL SINGLE SERVICE CONNECTION

W3

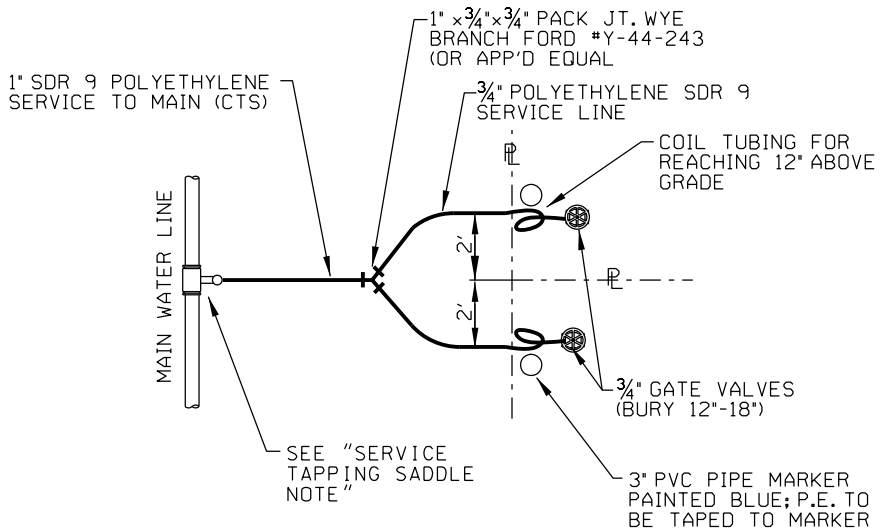
TYPICAL WATER SERVICE DETAIL
 FOR FUTURE CUSTOMER CONNECTIONS
 (FOR GSWA RURAL & CAPITAL
 PROJECTS ONLY)

WATER ONLY
 UPDATED: 06/19/09

W3

LATEST REVISION:
 06/19/09 DRT CHANGED TEE TO WYE, ADDED PACK JOINT
 REDUCER AND REVISED SIZES.

GRAND STRAND
 WATER & SEWER AUTHORITY



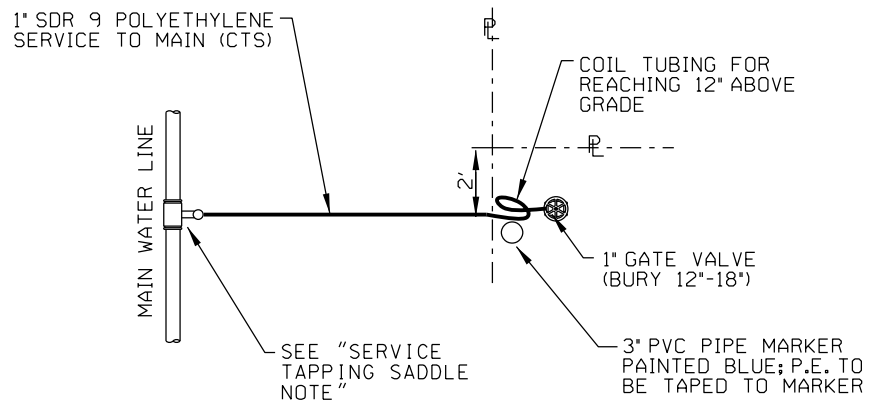
SERVICE TAPPING SADDLE NOTE:
 SMITH-BLAIR SINGLE STRAP, NYLON-COATED WITH
 WIDE SST BANDS NO. 315; OR SMITH-BLAIR DOUBLE STRAP,
 NYLON-COATED WITH WIDE SST BANDS NO. 317.

PLAN

TYPICAL DOUBLE SERVICE CONNECTION
 FOR FUTURE CUSTOMER CONNECTIONS
 (FOR DEVELOPER PROJECTS ONLY)

W4

TYPICAL DOUBLE SERVICE CONNECTION FOR FUTURE CUSTOMER CONNECTIONS (FOR DEVELOPER PROJECTS ONLY)	
WATER ONLY UPDATED: 6/26/02	W4
GRAND STRAND WATER & SEWER AUTHORITY	



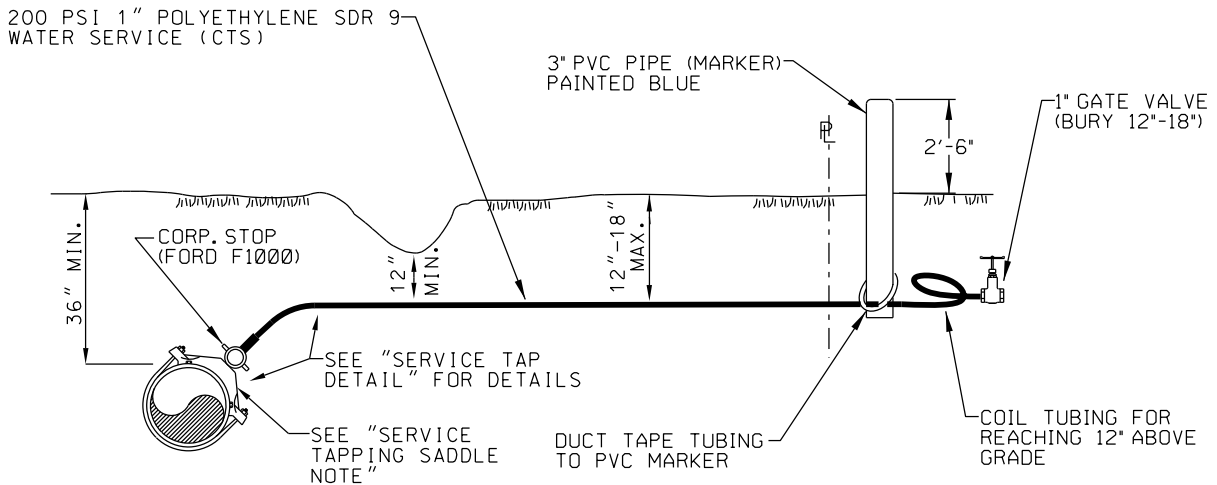
SERVICE TAPPING SADDLE NOTE:
 SMITH-BLAIR SINGLE STRAP, NYLON-COATED WITH
 WIDE SST BANDS NO. 315; OR SMITH-BLAIR DOUBLE STRAP,
 NYLON-COATED WITH WIDE SST BANDS NO. 317.

PLAN

TYPICAL SINGLE SERVICE CONNECTION
FOR FUTURE CUSTOMER CONNECTIONS
(FOR DEVELOPER PROJECTS ONLY)

W5

TYPICAL SINGLE SERVICE CONNECTION FOR FUTURE CUSTOMER CONNECTIONS (FOR DEVELOPER PROJECTS ONLY)	
WATER ONLY UPDATED: 6/26/02	<div style="border: 1px solid black; padding: 2px; width: 30px; margin: 0 auto;">W5</div>
GRAND STRAND WATER & SEWER AUTHORITY	



SERVICE TAPPING SADDLE NOTE:
 SMITH-BLAIR SINGLE STRAP, NYLON-COATED WITH
 WIDE SST BANDS NO. 315; OR SMITH-BLAIR DOUBLE STRAP,
 NYLON-COATED WITH WIDE SST BANDS NO. 317.

TYPICAL WATER SERVICE DETAIL
FOR FUTURE CUSTOMER CONNECTIONS
(FOR DEVELOPER PROJECTS ONLY)

W6

TYPICAL WATER SERVICE DETAIL FOR FUTURE CUSTOMER CONNECTIONS (FOR DEVELOPER PROJECTS ONLY)	
WATER ONLY UPDATED: 6/26/02	W6
GRAND STRAND WATER & SEWER AUTHORITY	

SERVICE LINE (CTS):
 TYP. 200 PSI POLYETHYLENE
 SDR 9 SERVICE MAT'L. PER
 AWWA STDS. COMPRESSION
 FITTING USE 1" FOR SINGLE
 AND DOUBLE METER SERVICES.

CORPORATION STOP
 FORD F1000 W/COMPRESSION
 FITTING OR APPR. EQUAL

WATER MAIN

RUBBER GASKET

45° MIN.

SEE "SERVICE
 TAPPING SADDLE
 NOTE"

SERVICE TAPPING SADDLE NOTE:
 SMITH-BLAIR SINGLE STRAP, NYLON-COATED WITH
 WIDE SST BANDS NO. 315; OR SMITH-BLAIR DOUBLE STRAP,
 NYLON-COATED WITH WIDE SST BANDS NO. 317.

TYPICAL SERVICE TAP

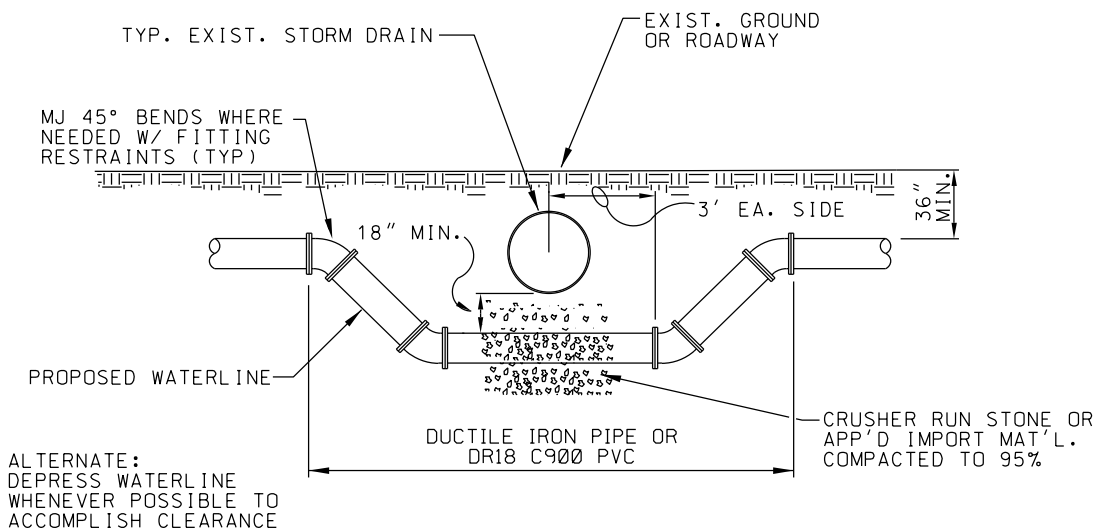
W7

TYPICAL SERVICE TAP

WATER ONLY
 UPDATED: 08/28/06

W7

GRAND STRAND
 WATER & SEWER AUTHORITY

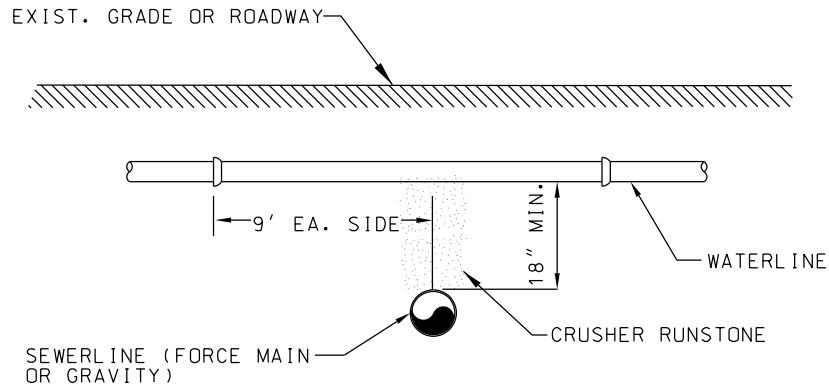


TYPICAL STORM DRAIN CROSSING

W8

TYPICAL STORM DRAIN CROSSING	
WATER ONLY UPDATED: 08/22/2022	W8
GRAND STRAND WATER & SEWER AUTHORITY	

LATEST REVISION:
8/22/22 DRT REVISED CLEARANCE AND DIP/PVC NOTE



TYPICAL SEWERLINE CROSSING

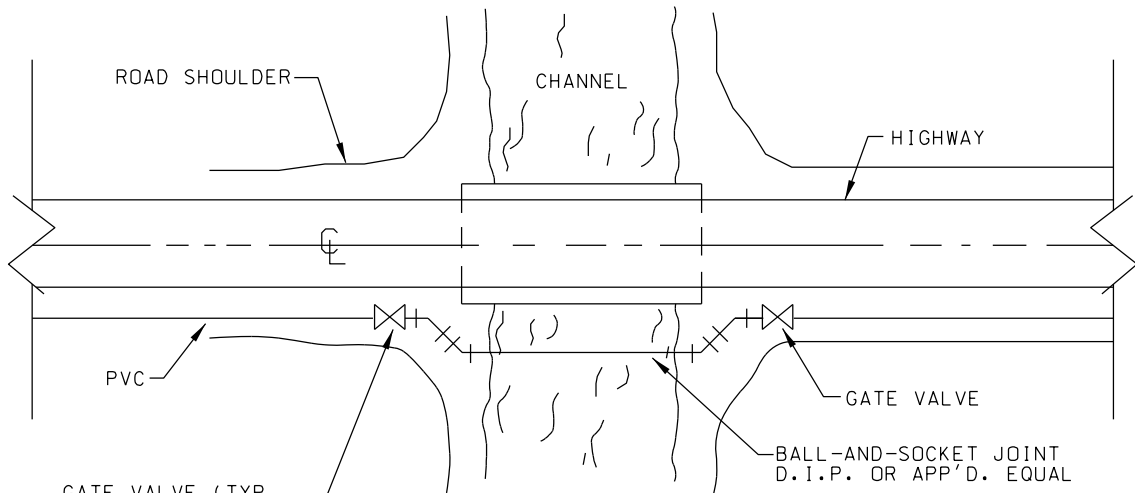
W9

TYPICAL SEWERLINE CROSSING

WATER ONLY
 UPDATED: 2/16/98

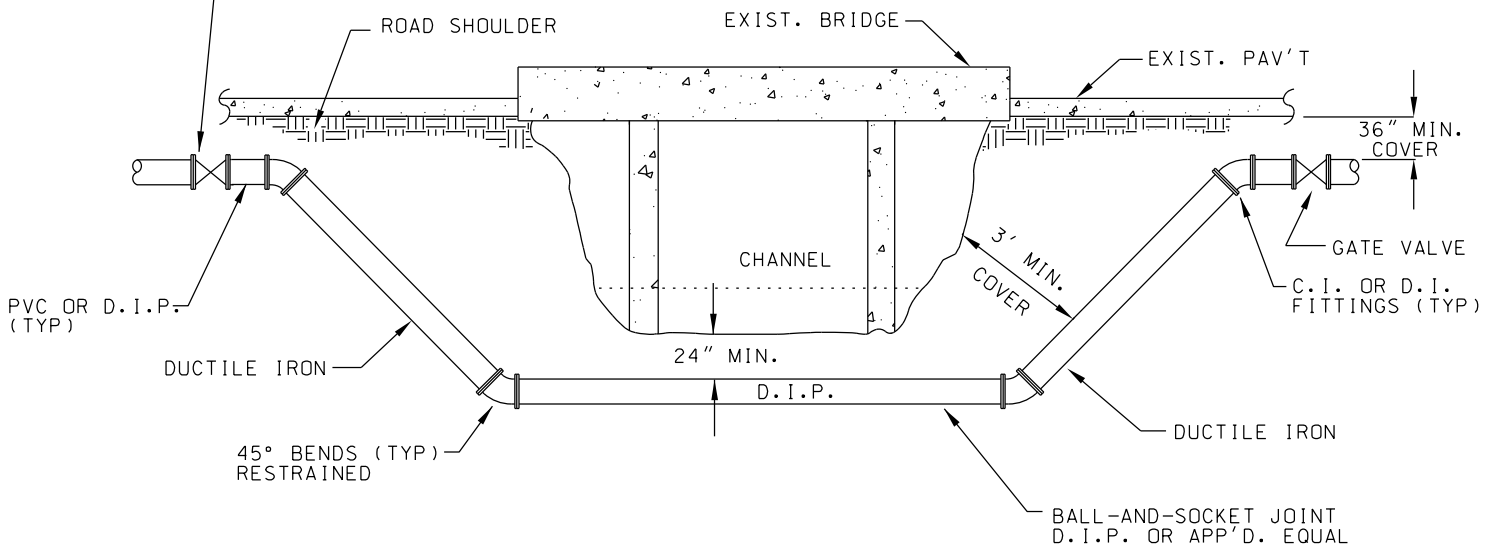
W9

GRAND STRAND
 WATER & SEWER AUTHORITY



GATE VALVE (TYP. EA. SIDE OF WATER COURSE WIDER THAN FIFTEEN (15) FEET

PLAN



NOTE:
PIPE TO BE INSTALLED IN SUCH A MANNER THAT JOINTS WILL BE ON UNDISTURBED SOIL.

PROFILE

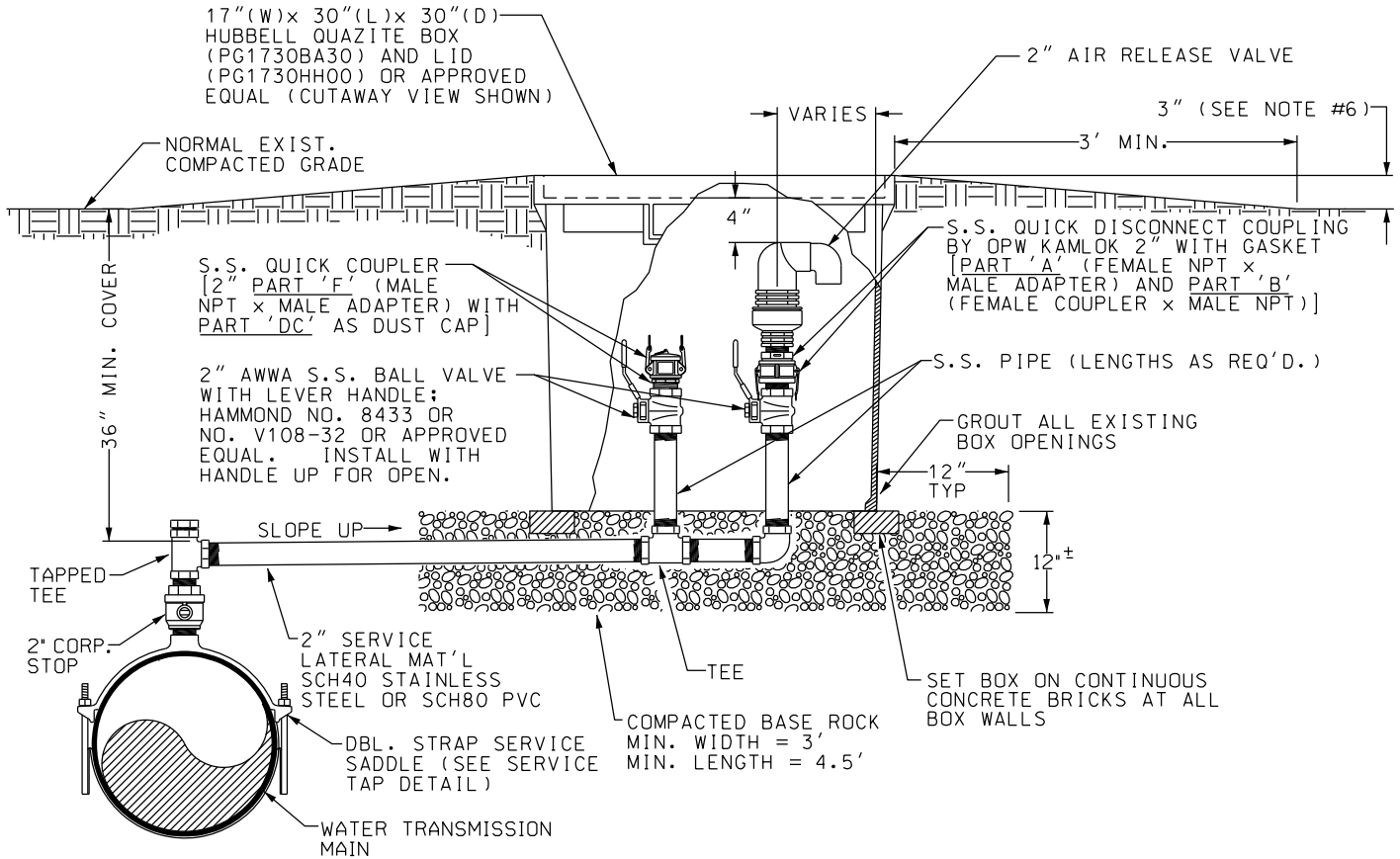
NOTES:
1) ALL JOINTS TO BE RESTRAINED.
2) FOR CROSSING WATER COURSES GREATER THAN FIFTEEN (15) FEET IN WIDTH, A BLOWOFF SHALL BE PROVIDED ON THE SIDE OPPOSITE THE SUPPLY SERVICE IF SYSTEM IS NOT LOOPED.

TYPICAL UNDER CHANNEL CROSSING AT BRIDGE

W10

TYPICAL UNDER CHANNEL CROSSING AT BRIDGE	
WATER ONLY UPDATED: 12/26/97	
W10	
GRAND STRAND WATER & SEWER AUTHORITY	

ENCLOSURE BOX AND LID SHALL BE
 MINIMUM "TIER 22" LOAD RATING:
 VERTICAL: 22,500 LBS (DESIGN) / 33,750 LBS (TEST)
 LATERAL: 800 LBS/SF (DESIGN) / 1,200 LBS/SF (TEST)
 (DRIVEWAY, PARKING LOT, AND OFF-ROADWAY APPLICATIONS
 SUBJECT TO OCCASIONAL NON-DELIBERATE HEAVY
 VEHICULAR TRAFFIC)



NOTES:

- 1) AIR RELEASE VALVE SHALL BE INSTALLED ON THE HIGH POINT OF WATER MAIN.
- 2) ALL MATERIALS & EQUIPMENT TO BE PER AWWA SPEC'S.
- 3) AIR RELEASE SHALL BE VALMATIC NO. 38, A.R.I. MODEL D-040.2 OR APPROVED EQUAL
- 4) CORP. STOP, PIPING, FITTINGS, AND VALVES TO BE SAME DIAMETER AS AIR RELEASE VALVE INLET.
- 5) LIMIT OF PAY ITEMS INCLUDES SERVICE SADDLE.
- 6) ARV ASSEMBLIES INSTALLED IN ROAD RIGHTS-OF-WAY MUST BE FLUSH WITH EXISTING SHOULDER GRADE. INSTALLATIONS IN EASEMENT AREAS SHALL BE RAISED ABOVE EXISTING GRADE AS SHOWN IN DETAIL.
- 7) 2" TEE, NIPPLE & BALL VALVE TO BE STD AWWA OR APPROVED EQUAL. NIPPLES & BALL VALVES SHALL BE STAINLESS STEEL.

TYPICAL AIR RELEASE VALVE ASSEMBLY

W12

LATEST REVISION:
 07/18/08 DRT

DESCRIBED PARTS 'A' & 'B' FOR A.R.V. QUICK DISCONNECT AND CHANGED PART 'A' TO PART 'F' FOR OTHER QUICK DISCONNECT. REMOVED NOTE FOR STABILITY BLOCKING INSIDE BOX. CHANGED ENCLOSURE SUPPLIER FROM STRONGWELL TO HUBBELL.

12/02/2013 DRT CHANGED LID TO "HH" (TIER 22) AND ADDED NOTE FOR TIER 22 ENCLOSURE BOX AND LID.

**TYPICAL
 AIR RELEASE VALVE
 ASSEMBLY**

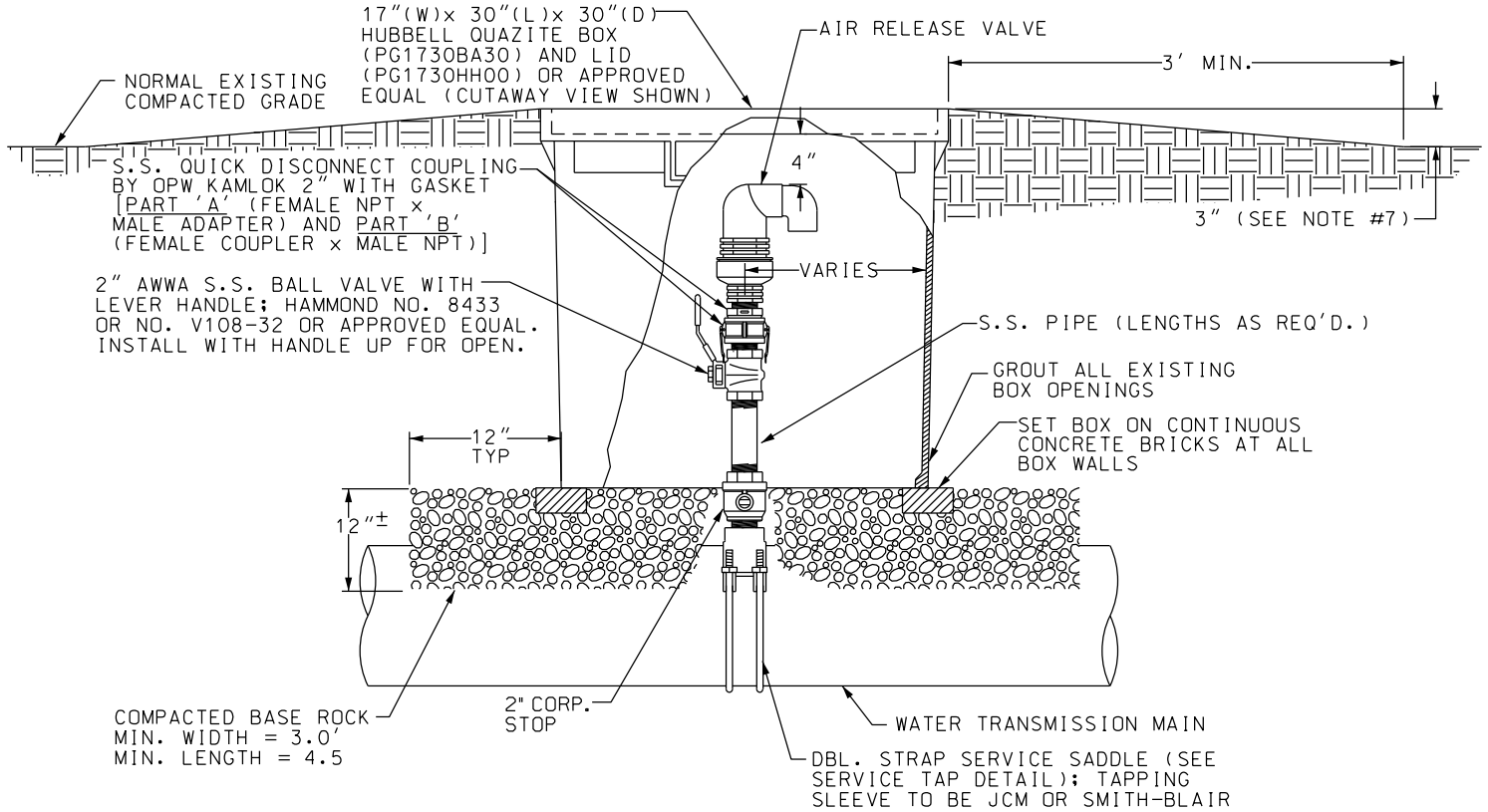
WATER ONLY
 UPDATED: 12/02/2013

W12

GRAND STRAND
 WATER & SEWER AUTHORITY

ENCLOSURE BOX AND LID SHALL BE
 MINIMUM "TIER 22" LOAD RATING:
 VERTICAL: 22,500 LBS (DESIGN) / 33,750 LBS (TEST)
 LATERAL: 800 LBS/SF (DESIGN) / 1,200 LBS/SF (TEST)
 (DRIVEWAY, PARKING LOT, AND OFF-ROADWAY APPLICATIONS
 SUBJECT TO OCCASIONAL NON-DELIBERATE HEAVY
 VEHICULAR TRAFFIC)

17"(W)x 30"(L)x 30"(D)
 HUBBELL QUAZITE BOX
 (PG1730BA30) AND LID
 (PG1730HH00) OR APPROVED
 EQUAL (CUTAWAY VIEW SHOWN)



NOTES:

- 1) AIR RELEASE VALVE SHALL BE INSTALLED ON THE HIGH POINT OF WATER MAIN.
- 2) ALL MATERIALS & EQUIPMENT TO BE PER AWWA SPEC'S.
- 3) AIR RELEASE SHALL BE A.R.I. MODEL D-040.2.
- 4) CORPORATION STOP, S.S. PIPE, FITTINGS, AND PIPING TO BE SAME DIAMETER AS AIR RELEASE VALVE INLET.
- 5) AIR RELEASE VALVES MUST BE NSF APPROVED.
- 6) LIMIT OF PAY ITEMS INCLUDES SERVICE SADDLE.
- 7) ARV ASSEMBLIES INSTALLED IN ROAD RIGHTS-OF-WAY MUST BE FLUSH WITH EXISTING SHOULDER GRADE. INSTALLATIONS IN EASEMENT AREAS SHALL BE RAISED ABOVE EXISTING GRADE AS SHOWN IN DETAIL.

TYPICAL AIR RELEASE VALVE ASSEMBLY

W13

LATEST REVISION:
 07/18/08 DRT

12/02/2013 DRT

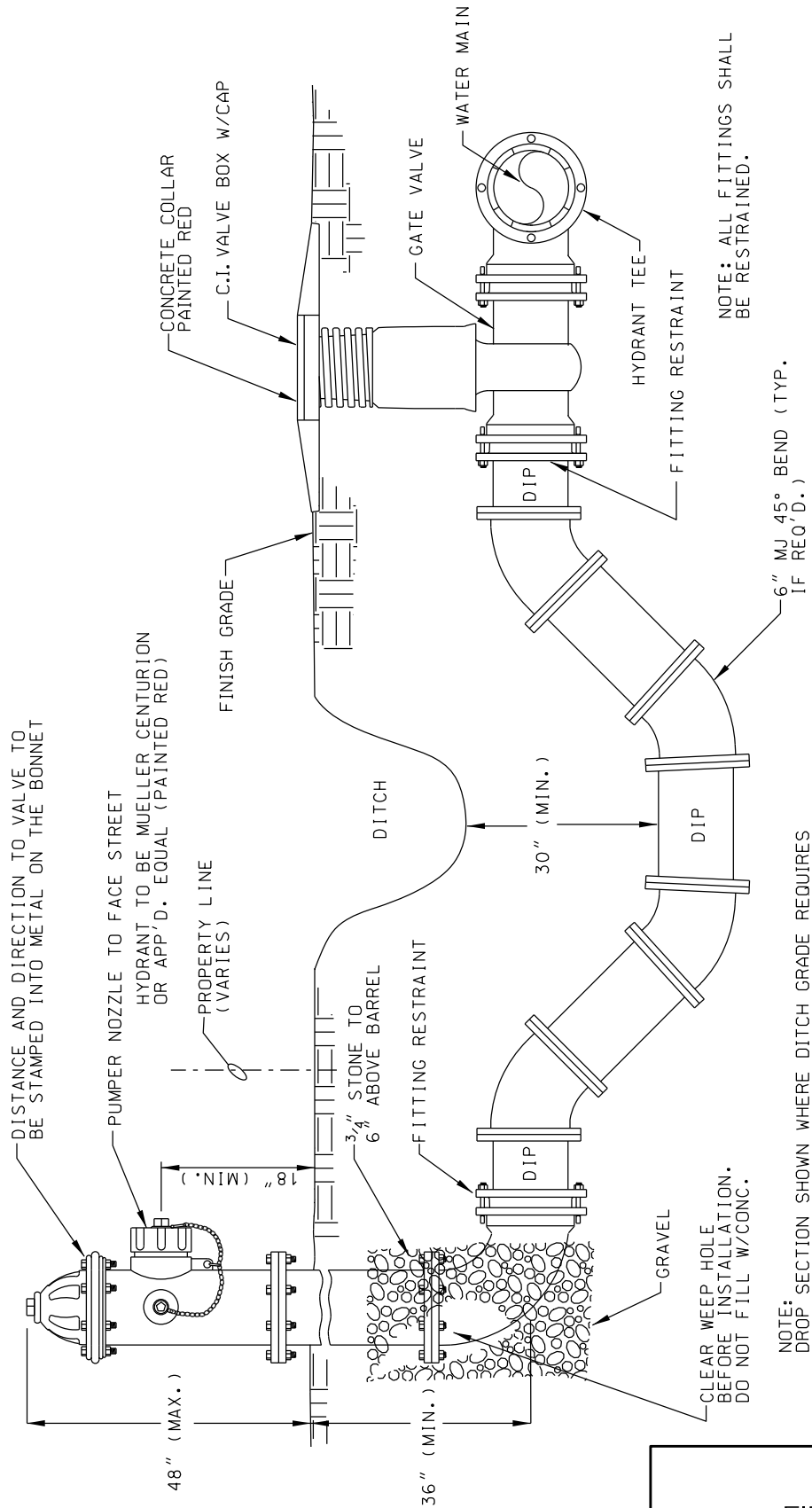
DESCRIBED PARTS 'A' & 'B' FOR QUICK DISCONNECT.
 REMOVED NOTE FOR STABILITY BLOCKING INSIDE BOX.
 CHANGED ENCLOSURE SUPPLIER FROM STRONGWELL TO HUBBELL.
 CHANGED LID TO "HH" (TIER 22) AND ADDED NOTE FOR
 TIER 22 ENCLOSURE BOX AND LID.

**TYPICAL
 AIR RELEASE VALVE
 ASSEMBLY**

WATER ONLY
 UPDATED: 12/02/2013

W13

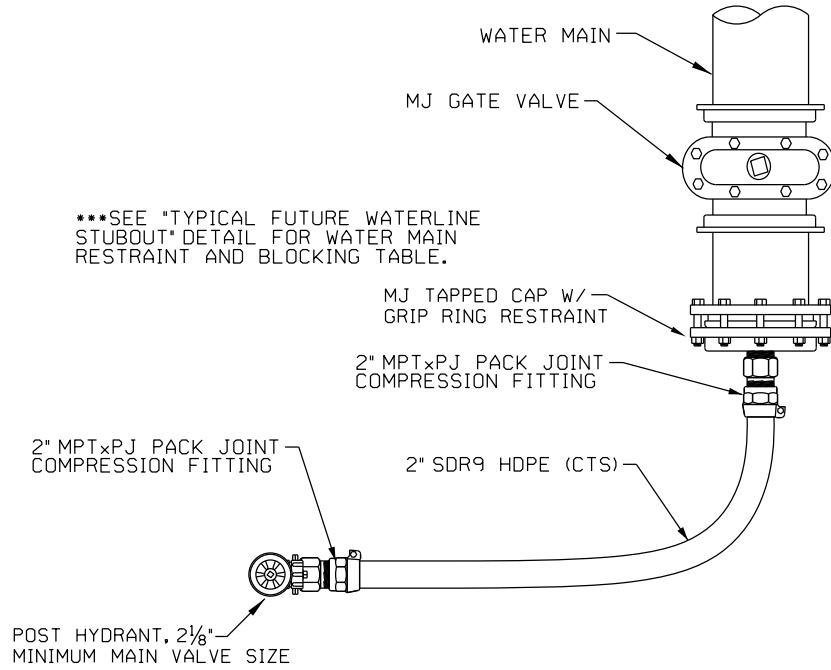
GRAND STRAND
 WATER & SEWER AUTHORITY



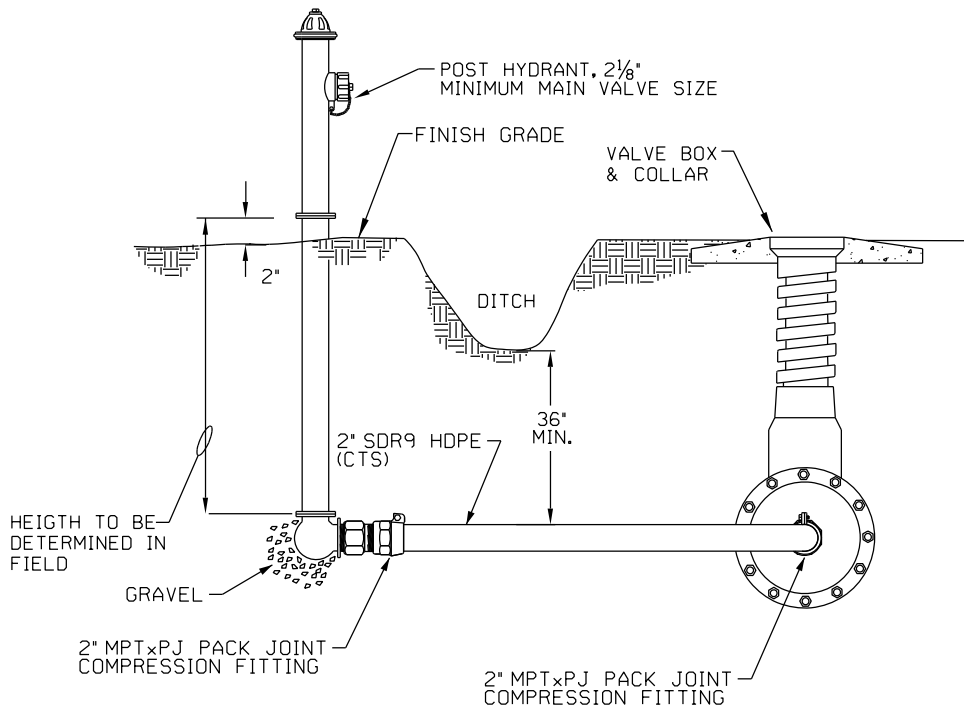
TYPICAL FIRE HYDRANT

W14

TYPICAL FIRE HYDRANT	
WATER ONLY UPDATED: 8/13/01	
W14	
GRAND STRAND WATER & SEWER AUTHORITY	



PLAN



PROFILE

TYPICAL POST HYDRANT BLOW-OFF

W15

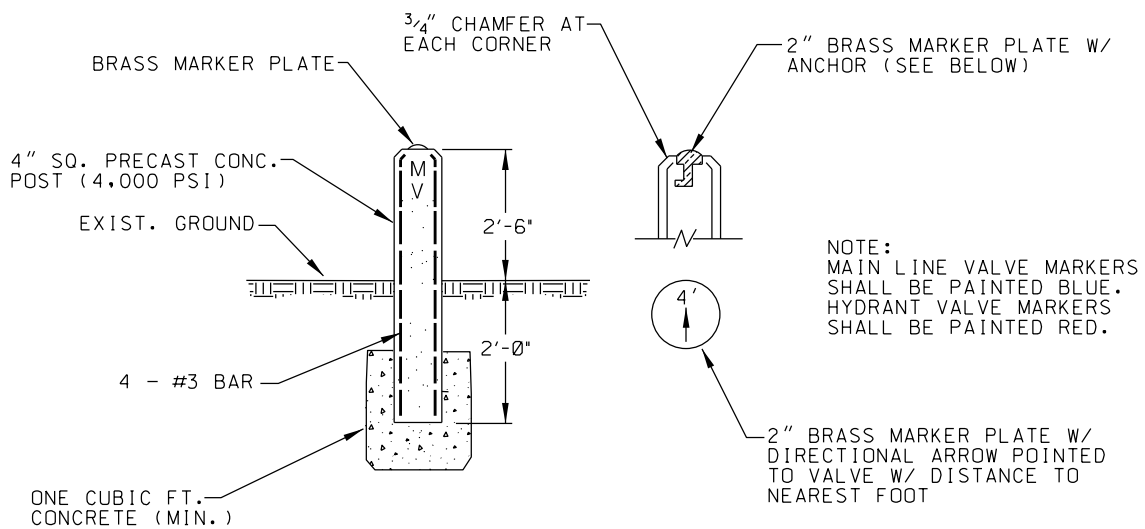
TYPICAL POST HYDRANT BLOW-OFF

WATER ONLY
 UPDATED: 06/19/09

W15

GRAND STRAND
 WATER & SEWER AUTHORITY

LATEST REVISION:
 06/19/09 DRT CHANGED PH LEAD FROM GIP TO HDPE AND ADDED
 PACK JOINT FITTINGS.



TYPICAL CONCRETE VALVE MARKER

W17

TYPICAL
CONCRETE VALVE MARKER

WATER ONLY
UPDATED: 5/13/02

W17

GRAND STRAND
WATER & SEWER AUTHORITY

ENCLOSURE BOX AND LID SHALL BE
 MINIMUM "TIER 22" LOAD RATING:
 VERTICAL: 22,500 LBS (DESIGN) / 33,750 LBS (TEST)
 LATERAL: 800 LBS/SF (DESIGN) / 1,200 LBS/SF (TEST)
 (DRIVEWAY, PARKING LOT, AND OFF-ROADWAY APPLICATIONS
 SUBJECT TO OCCASIONAL NON-DELIBERATE HEAVY
 VEHICULAR TRAFFIC)

17"(W) x 30"(L) x 18"(D)
 HUBBELL QUAZITE BOX
 (PG1730BA18) AND LID
 (PG1730HH00) OR APPROVED
 EQUAL (CUTAWAY VIEW SHOWN)

SHOWN PREASSEMBLED

S.S. QUICK COUPLER
 [1 1/2" PART 'F' (MALE
 NPT x MALE ADAPTER) WITH
 PART 'DC' AS DUST CAP]

VALVE BOX COLLAR

GRADE

1 1/2" AWWA S.S. BALL
 VALVE WITH LEVER HANDLE;
 HAMMOND NO. 8433 OR
 NO. V108-32 OR APPROVED
 EQUAL. INSTALL WITH
 HANDLE UP FOR OPEN.

THRUST BLOCKING

VALVE BOX

1 1/2" HDPE 3408
 PIPE (INCLUDE
 FITTINGS NEEDED
 FOR CONNECTION
 TO TAPPED PLUG
 AND BLOWOFF)

1 1/2" S.S. NIPPLE (TYP)
 OF VARIOUS LENGTHS

1 1/2" 90° BEND

4" MJ GATE
 VALVE

ADJUST SIZE CHANGE
 AT THIS LOCATION

SEE TABLE FOR
 RECOMMENDED SIZE

PIPE CONFIGURATION TO BLOWOFF
 TO BE FIELD-DETERMINED (CURVE
 PIPE TO KEEP FROM CRIMPING.)

NOTE:
 THIS DETAIL IS FOR MAIN LINES 4" DIA. AND SMALLER.
 BLOWOFFS SHALL BE SIZED TO ACHIEVE 2.5 FT/SEC
 MINIMUM VELOCITY IN THE MAIN WITH A MINIMUM
 RESIDUAL PRESSURE OF 25 PSI. THE TABLE BELOW
 IS RECOMMENDED BY THE SC DHEC FOR BLOWOFF SIZING.
 USE STANDARD POST HYDRANT BLOWOFF FOR MAINS
 LARGER THAN 4' DIA..

4" x 1 1/2" MJ TAPPED
 PLUG (RESTRAINED)

4" MAIN
 WATERLINE

MAIN LINE DIA.	FLOW REQUIRED	MIN. ORIFICE SIZE	RECOMMENDED PIPE SIZE	RECOMMENDED BLOWOFF SIZE
2"	25 GPM	0.75"	1 1/2"	1 1/2"
2 1/2"	40 GPM	1"	1 1/2"	1 1/2"
3"	60 GPM	1.24"	1 1/2"	1 1/2"
4"	100 GPM	1.5"	1 1/2"	1 1/2"
*6"	220 GPM	1.65"	2"	2"
*8"	400 GPM	2.21"	2 1/2"	2 1/2"

*SEE "TYPICAL POST HYDRANT BLOWOFF" (W15) FOR DETAIL.

TYPICAL BLOWOFF ASSEMBLY

W18

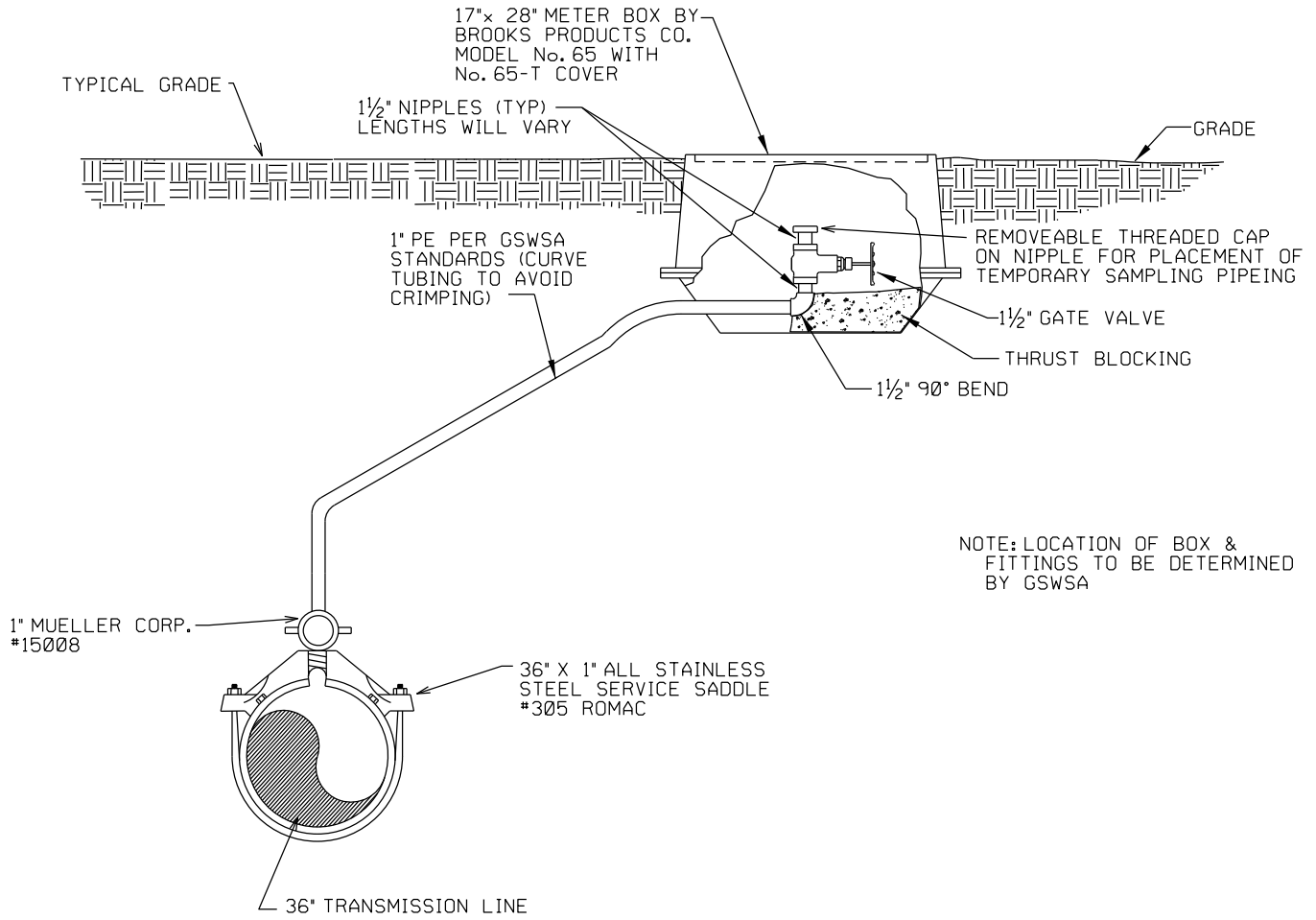
TYPICAL BLOWOFF ASSEMBLY

WATER ONLY
 UPDATED: 12/02/2013

W18

GRAND STRAND
 WATER & SEWER AUTHORITY

LATEST REVISION:
 7/18/08 DRT CHANGED PART 'A' TO PART 'F' FOR QUICK COUPLER.
 CHANGED ENCLOSURE SUPPLIER FROM STRONGWELL TO HUBBELL.
 12/02/2013 DRT ADDED NOTE FOR TIER 22 ENCLOSURE BOX AND LID.



TYPICAL WATER SAMPLING ASSEMBLY

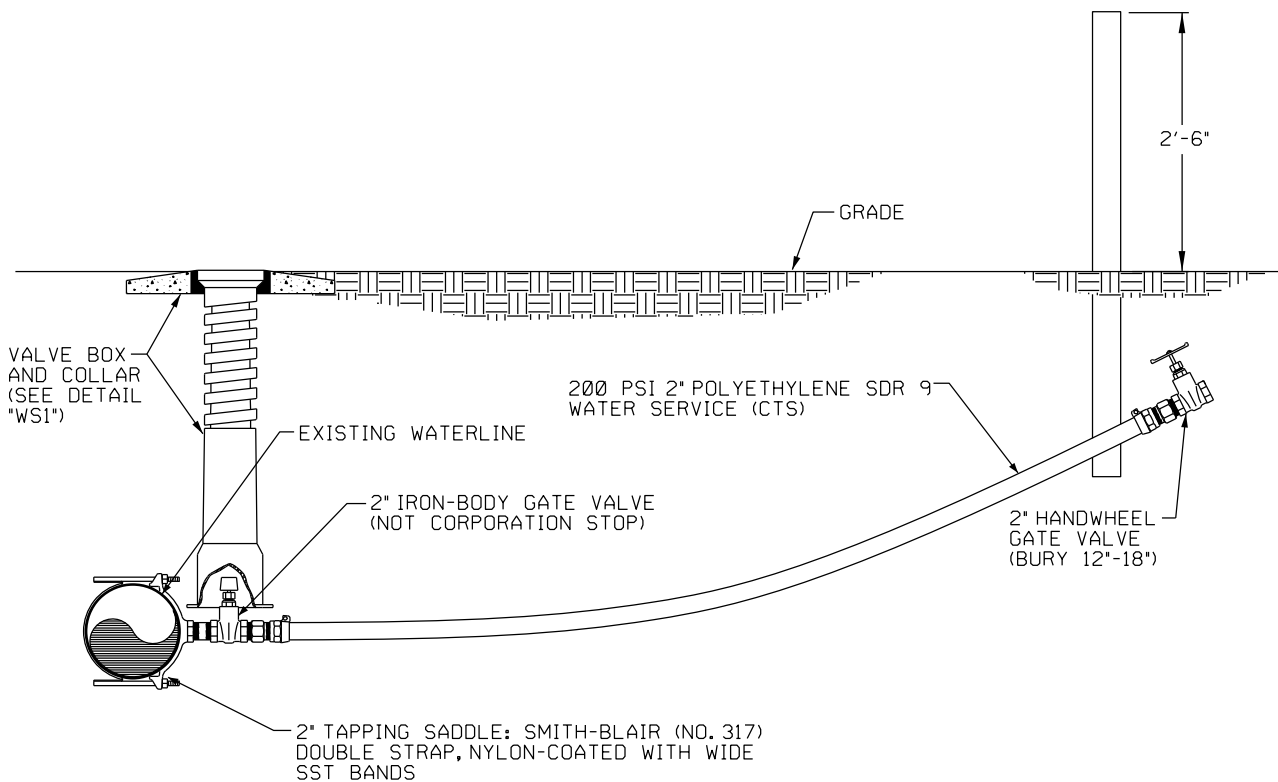
W19

TYPICAL WATER SAMPLING ASSEMBLY

WATER ONLY
UPDATED: 5/24/99

W19

GRAND STRAND
WATER & SEWER AUTHORITY



ELEVATION

TYPICAL WATER SERVICE DETAIL
FOR 1 1/2" – 2" METER SERVICES
(FOR DEVELOPER PROJECTS ONLY)

W20

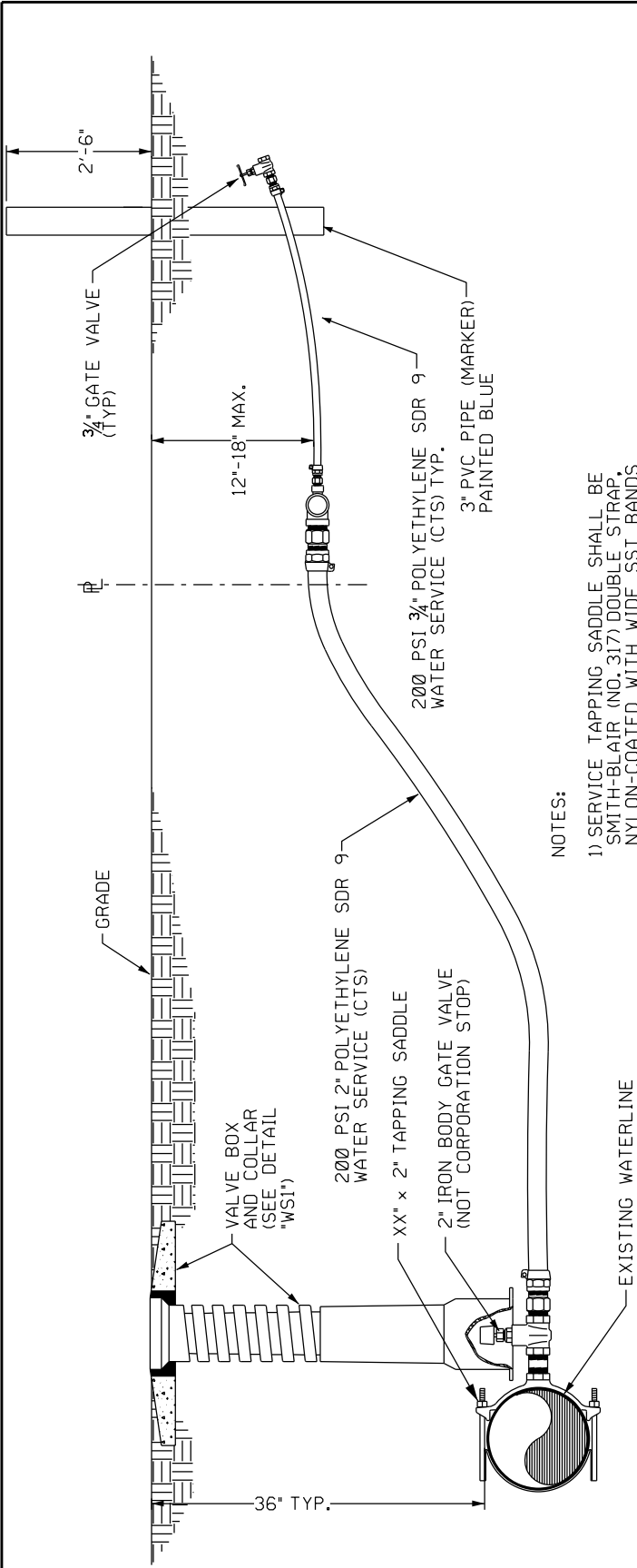
LATEST REVISION:
 02/02/2010 DRT 2" HANDWHEEL G.V. TO BE BURIED RATHER
 THAN LEFT ABOVE GROUND.

TYPICAL WATER SERVICE DETAIL
 FOR 1 1/2" – 2" METER SERVICES
 (FOR DEVELOPER PROJECTS ONLY)

WATER ONLY
 UPDATED: 02/02/2010

W20

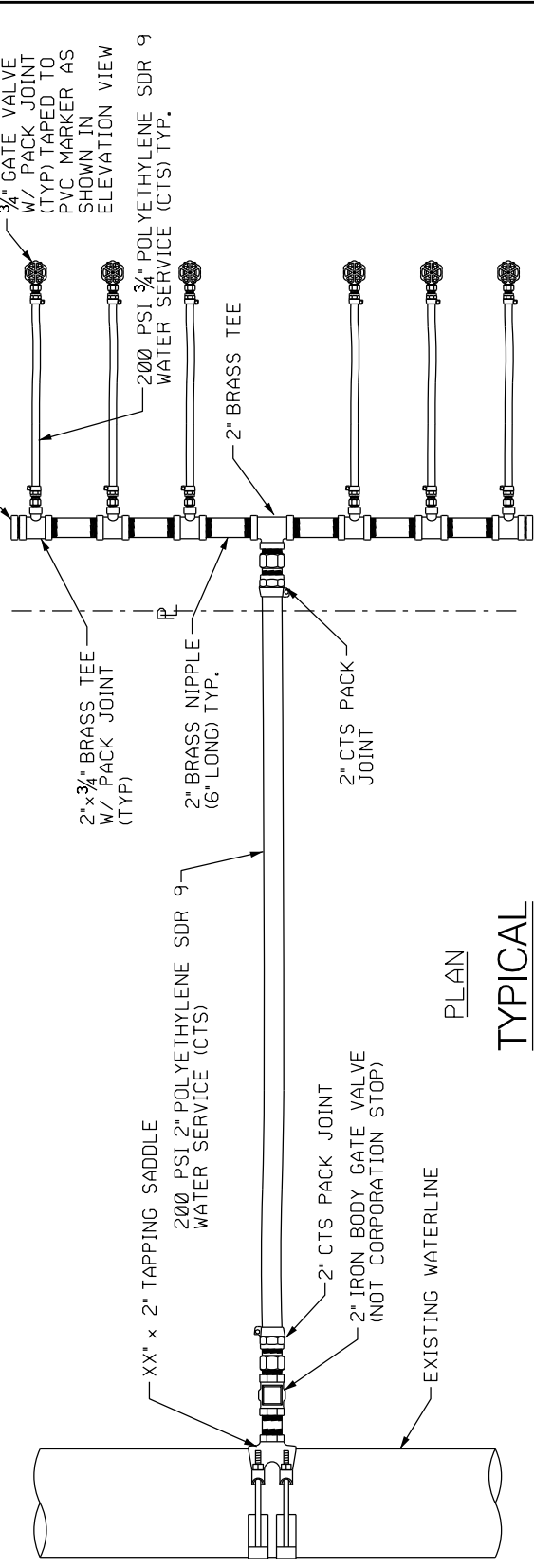
GRAND STRAND
 WATER & SEWER AUTHORITY



ELEVATION

NOTES:

- 1) SERVICE TAPPING SADDLE SHALL BE SMITH-BLAIR (NO. 317) DOUBLE STRAP, NYLON-COATED WITH WIDE SST BANDS



PLAN

TYPICAL
MULTIFAMILY WATER SERVICE CONNECTIONS
FOR FUTURE DEVELOPER PROJECTS ONLY

LATEST REVISION:
11/3/10 DRT REVISED TO SHOW 3/4" STUBOUT LINES
TERMINATING BELOW GROUND RATHER THAN ABOVE.

TYPICAL
MULTIFAMILY WATER SERVICE DETAIL
FOR FUTURE CUSTOMER CONNECTIONS
(FOR DEVELOPER PROJECTS ONLY)

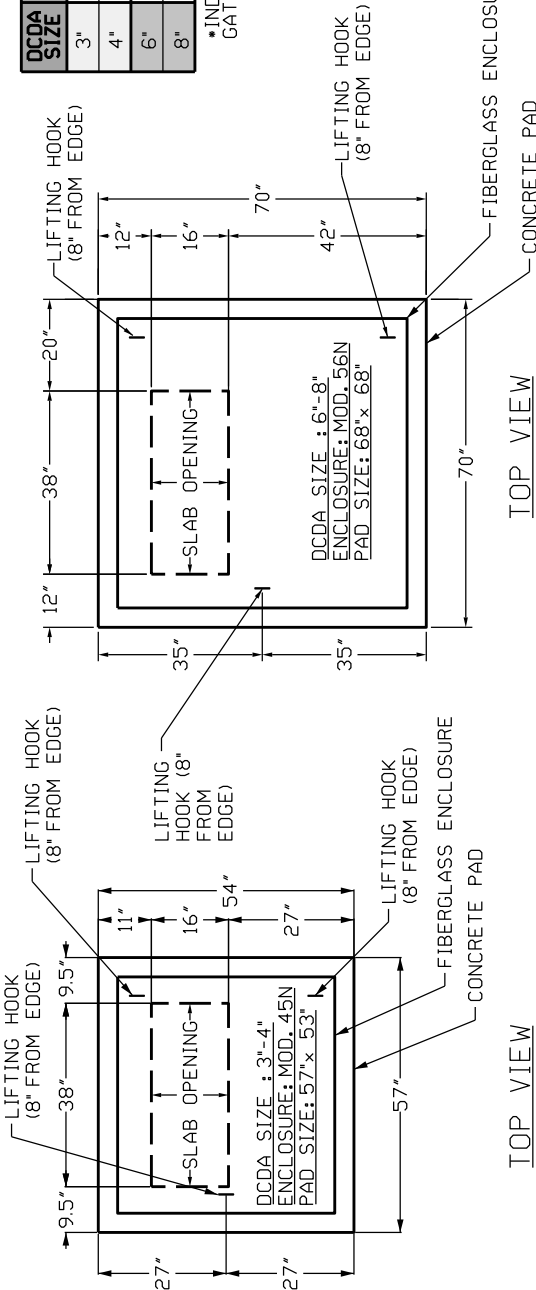
WATER ONLY
UPDATED: 11/3/10

W21

GRAND STRAND
WATER & SEWER AUTHORITY

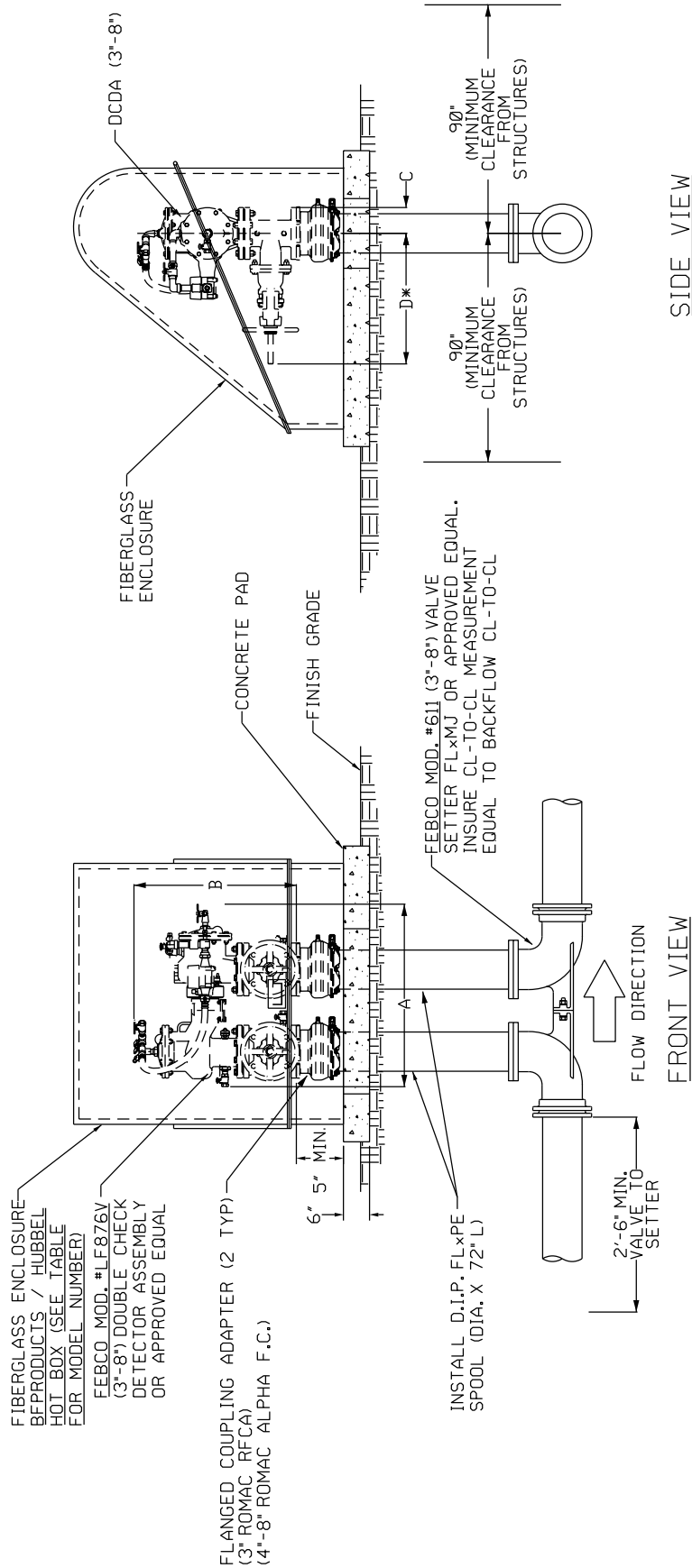
DCDA SIZE	A	B	C	D*	ENCLOSURE MODEL
3"	29 1/8"	25 3/4"	3 3/4"	22 1/4"	45N (BFPRODUCTS)
4"	31 1/8"	27 3/4"	4 1/2"	23 1/4"	LBF4500 (HUBBEL HOT BOX)
6"	35 3/4"	32 3/4"	5 1/2"	30 1/8"	56N (BFPRODUCTS)
8"	40 3/4"	36 3/4"	6 3/4"	37 3/4"	LBF6000 (HUBBEL HOT BOX)

*INDICATES NOMINAL DIMENSIONS WITH OSY GATE VALVE (FULL OPEN POSITION)



LATEST REVISION:
8/14/2017 DRT
8/27/2020 DRT

ADDED F.C.A.'S AND SPOOL LENGTHS.
ADDED SPEC'S FOR HUBBEL HOT BOX.



TYPICAL DOUBLE CHECK DETECTOR ASSEMBLY (3"-8") ABOVE GROUND MOUNT WITH ENCLOSURE

WATER ONLY
UPDATED: 8/27/2020

W22

GRAND STRAND
WATER & SEWER AUTHORITY

TYPICAL DOUBLE CHECK DETECTOR ASSEMBLY (3"-8")
ABOVE GROUND MOUNT WITH ENCLOSURE

W22